

190-990-190 45" Snow Thrower (1987)
Thrower Assembly

Page 2 of 6

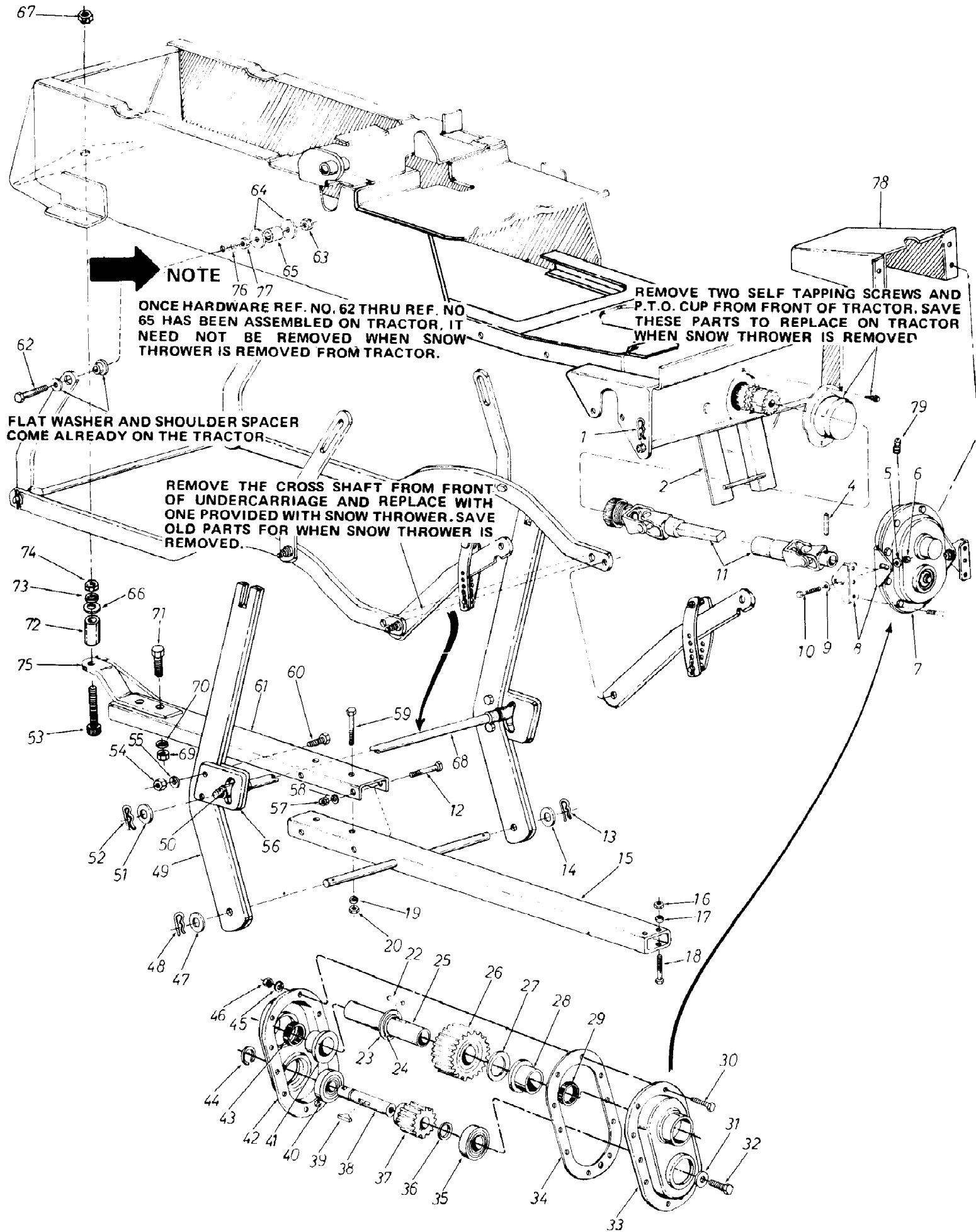
Ref #	Part Number	Qty	S/P/F	Description
1	714-0507	1	S	Cotter Pin
2	736-0140	1	S	Fl.-Wash. .39" I.D. x .62" O.D.
3	741-0475	1	S	Plastic Bushing
4	736-0140	1	S	Fl.-Wash. .385" I.D. x .62" O.D.
5	05982	1		Chute Crank Ass'y.
6	741-0471	1	S	Plastic Bushing
7	720-0201	1	S	Knob (Black)
8	726-0100	1	S	Push Nut 3/8" Rod
9	750-0526	1		Spacer .385 I.D. x .50" I.D.
10	749-0230	1		Chute Crank Support Tubing
11	747-0416	1	S	Eyebolt
12	712-0267	1	S	Hex Nut 5/16-18 Thd.*
13	736-0242	1	/P	Bell.-Wash. .345" I.D. x .88" O.D.
14	711-0640	1	S	Stud 3/8-16 x 2.75 " Lg.
15	736-0105	1	/P	Bell.-Wash. .400" I.D. x .88" O.D.
16	710-0191	1	/P	Hex Bolt 3/8-24 x 1.25" Lg.*
17	736-0242	1	/P	Bell.-Wash . . 345 " I.D. x . 88 " O.D.
18	712-0267	1	S	Hex Nut 5/16-18 Thd.*
19	712-0138	1	S	Hex Nut 1/4-28 Thd.
20	736-0270	1	/P	Bell.-Wash. .265" I.D. x .75" O.D.
21	784-5076	1	S	Gear Housing Support Brkt.
22	784-5036	1		45" Snow Blower Housing Ass'y
23	736-0119	1	S	L.-Wash. 5/16" I.D.*
24	712-0267	1	S	Hex Nut 5/16-18 Thd.*
25	784-5038	1	S	Slide Shoe
26	736-0105	1	/P	Bell.-Wash. .400" I.D. x .88" O.D.
27	712-0342	1	/P	Hex Jam Nut 3/8-16 Thd.
28	710-0790	1	S	Carriage Bolt 3/8-16 x .62" Lg.*
30	738-0679	1		Blower Axle .875" Dia. x 14.75" Lg.
31	715-0118	1	S	Spring Pin Spir. 5/16" Dia. x 1.75" Lg.
32	784-5145	1	S	Blower Fan Ass'y.
33	716-0111	1	/P	Snap Ring For.875" Dia. Shaft
34	714-0135	1	S	#91 Woodr-Key 1/4 x 3/4" Dia. (HDN)
35	737-0175	1		Vent Plug
36	717-0297	1	S	Comp. Gear Hsg. Half-L.H.
37	736-0271	1	S	Spr.-Wash. .32" I.D. x .62" O.D.
38	712-0429	1	S	Hex Ins. L.-Nut 5/16-18 Thd.
39	714-0135	1	S	#91 Woodr-Key 1/4 x 3/4" Dia. (HDN)
40	05608	1	S	Spiral Ass'y. R.H. (Not Shown)
	05609	1	S	Spiral Ass'y. L.H.
41	712-0429	1	S	Hex Ins. L.-Nut 5/16-18 Thd.
42	05136	1		Plastic Bushing
43	741-0192	1		Flange Brg. w/flats 1" I.D.
44	05845	1	S	Bearing Housing
45	710-0198	1	S	Hex Sems Bolt 5/16-18 x .75" Lg. *
46	736-0250	1	/P	Fl.-Wash. 1.00" I.D. x 1.75" O.D.
47	738-0492	1		Spiral Axle
48	741-0182	1		Flange Bearing 1.503" I.D.
49	710-0891	1	/P	Shear Bolt 5/16-18 x 1.75" Lg.
50	721-0146	1	S	Oil Seal 1.50" I.D.
51	736-0266	1	S	Fl.-Wash.1.50" I.D. x 2.00" O.D
52	738-0275	1		Worm Gear Shaft
53	717-0300			Worm Gear- 0 L.H.

190-990-190 45" Snow Thrower (1987)
Thrower Assembly

Page 3 of 6

Ref #	Part Number	Qty	S/P/F	Description
54	741-0184	1		Thrust Brg.-.88" I.D. x 1.44" O.D.
55	736-0291	1	S	Fl.-Wash. .88 " I.D. x 1.4 " O.D.
56	717-0299	1	S	Double Threaded Worm-L.H.
57	741-0217	1	S	Sleeve
58	717-0298	1	S	Complete Gear Hsg. Half-R.H.
59	710-0528	1	/P	Hex Bolt 5/16-18 x 1.25" Lg.*
60	710-0376	1	/P	Hex Bolt 5/16-18 x 1.0" Lg. (Grade 5)
61	710-0412	1	/P	Hex Bolt 1/4-28 x .75" Lg.
62	784-5075	1		Gear Housing Support Plate
63	721-0144	1	S	Rubber Gasket
64	721-0145	1	S	Oil Seal-.875" I.D.
65	714-0126	1	S	#9 Hi-Pro Key 3/16 x 3/4" Dia. (HT.)
66	712-0267	1	S	Hex Nut 5/16-18 Thd.*
67	736-0119	1	S	L.-Wash.5/16" I.D.*
68	05598	1	S	Shave Plate
69	710-0276	1	/P	Carriage Bolt 5/16-18 x 1.00" Lg. *
70	710-0260	1	S	Carriage Bolt 5/16-18 x .62"-Lg.*
71	736-0119	1	S	L.-Wash . 5/16" I.D.*
72	712-0267	1	S	Hex Nut 5/16-18 Thd.*
73	05139	1	S	Guide Blade
74	736-0242	1	/P	Bell.-Wash. .345" I.D. x .88" O.D.
75	710-0726	1	/P	Hex Wash. Hd. AB Tap Scr 5/16 x .75 " Lg.
76	784-5123	1	S	Chute Crank Brkt.
77	710-0451	1	/P	Carriage Bolt 5/16-18 x .75" Lg.*
78	712-0116	1	S	Hex Ins. L.-N ut 3/8-24 Thd.
79	736-0169	1	S	L.-Wash. 3/8" I.D.*
80	731-0851	1	S	Chute Flange Keeper
81	712-0287	1	S	Hex Nut 1/4-20 Thd. *
82	784-5074	1	S	Chute Ass'y. w/Chute Guard
	736-0179	1	S	Fl.-Wash. .285" I.D. x 1.25" O.D.
84	736-0242	1	/P	Bell.-Wash. .345" I.D. x .88" O.D.
85	712-0158	1	S	Hex Cent. L.-Nut 5/16-18 Thd.
86	09966	1	S	Knob Handle
87	736-0242	1	/P	Bell.-Wash. .345" I.D. x .88" O.D.
88	05225	1		Top Chute Ass'y.
89	710-0276	1	/P	Carriage Bolt 5/16-18 x 1.00" Lg.*
90	710-0260	1	S	Carriage Bolt 5/16-18 x .62" Lg.*
91	710-0255	1	S	Truss Mach. Scr. 1/4-20 x .75"
92	715-0138	1	S	Roll Pin .12 Dia. x .63"
	712-0107	1	S	Hex Cent. L-Nut-1/4-20 Thd.

190-990-190 45" Snow Thrower (1987)
Thrower Mounting Assembly



Ref #	Part Number	Qty	S/P/F	Description
1	714-0117	1	/P	Intern. Cotter Pin 3/4" Dia.
2	05613	1	S	Guide Bracket Ass'y.
4	715-0121	1	/P	Spring Pin Spirol 1/4" Dia. x Lg.
5	736-0242	1	/P	Belleville Wash. .341" I.D. x .88" O.D.
6	712-0267	1	S	Hex Nut 5/16-18 Thd.*
7	717-0869	1	S	Gear Box Ass'y. Comp.
8	05607	1		Gear Box Support Brkt.
9	736-0242	1	/P	Belleville Wash. .341" I.D. x .88" O.D.
10	710-0118	1	S	Hex Scr 5/16-18 x .75" Lg. *
11	717-0366	1		Universal Drive Shaft Ass'y.
12	710-0620	1	/P	Hex Scr. 3/8-24 x 4.50" Lg.*
13	714-0147	1		Hair Pin Cotter
14	736-0316	1	S	Fl. Wash. .75" I.D. x 1.5"
15	05670	1		Lift Shaft Ass'y.
16	712-0116	1	S	Hex Ins. Jam L.-Nut 3/8-24 Thd.
17	736-0169	1	S	L.-Wash. 3/8" Scr.*
18	710-0629	1		Hex Scr. 3/8-24 x 2.75" Lg.*
19	736-0169	1	S	L.-Wash. 3/8" Scr.*
20	712-0116	1	S	Hex Ins. Jam L.-Nut 3/8-24 Thd.
22	714-0113	1	/P	Hi-Pro Key 1/4" x 7/8" Dia.
23	736-0246	1	/P	Fl.-Wash. 1.31" I.D. x 2.00" O.D. x .060
24	716-0116	1	/P	Snap Ring for 1.25" Dia. Shaft
25	738-0677	1		Gear Shaft 1.25" Dia. x 6.0" Lg.
26	717-0362	1	S	28 Teeth Spur Gear
27	736-0246	1	/P	Fl.-Wash. 1.31" I.D. x 2.00" O.D. x .060
28	748-0194	1	/P	Flange Bearing 1.25" I.D. x 1.75" O.D.
29	721-0117	1	S	Oil Seal 1.25" I.D. x 1.75" O.D. x .26
30	710-0281	1	/P	Hex Scr. 1/4-28 x .88" Lg.
31	736-0247	1	/P	Fl.-Wash. .40 I.D. x 1.25" O.D. x .160
32	710-0591	1	/P	Hex L.-Scr. 3/8-24 x 1.00" Lg.
33	717-0359	1		Complete Gear Housing Half-L.H.
34	721-0158	1		Gasket
35	741-0131	1	S	Ball Bearing 1.00" I.D. x 2.00" O.D.
36	736-0259	1	S	Fl.-Wash. 1.03" I.D. x 1.63" x .090
37	717-0361	1		15 Teeth Spur Gear
38	738-0361	1		Input Shaft
39	714-0135	1	S	Woodruff Key 1/4" x 3/4" Dia.
40	741-0131	1	S	Ball Bearing 1.00" I.D. x 2.00" O.D.
41	748-0194	1	/P	Flange Bearing 1.25" I.D. x 1.75" O.D.
42	717-0360	1		Complete Gear Housing Half-R.H.
43	721-0117	1	S	Oil Seal 1.25" I.D. x 1.75" O.D. x .26
44	716-0118	1		Snap Ring for 1.00" Dia. Shaft
45	736-0175	1	S	Spring Wash. 1/4" I.D.
46	712-0138	1	S	Hex Nut 1/4-28 Thd.
47	736-0316	1	S	Fl. Wash. .75" I.D. x 1.5"
48	714-0147	1		Hair Pin Cotter
49	13780	1		Lift Bar
50	750-0444	1		Spacer
51	736-0156	1	/P	Fl.-Wash. .62" I.D. x 1.12" O.D.
52	714-0147	1		Hair Pin Cotter
53	710-0763	1	S	Hex Bolt 5/8-18 x 4.00" Lg.
54	712-0267	1	S	Hex Nut 5/16-18 Thd.*
55	736-0119	1		Hex Scr. 1/4-28 x .88" Lg.

190-990-190 45" Snow Thrower (1987)
Thrower Mounting Assembly

Page 6 of 6

Ref #	Part Number	Qty	S/P/F	Description
56	13781	1		Lift Bar Cam
57	712-0116	1	S	Hex Ins. L.-Nut 3/8-24 Thd.
58	736-0169	1	S	L.-Wash. 3/8" Scr.*
59	710-0629	1		Hex Scr. 3/8-24 x 2.75"
60	710-0376	1	/P	Hex Scr. 5/16-18 x 1.00" Lg. *
61	05611	1	S	Lift Bracket
62	710-0369	1	/P	Hex Scr. 3/8-24 x 2.50"
63	712-0116	1	S	Hex Jam L.-Nut 3/8-24 Thd.
64	736-0258	1	/P	Fl.-Wash. .375 I.D. x 1.00" O.D. x .135"
65	750-0497	1		Spacer .275 I.D. x .625 O.D. x .440
66	736-0156	1	/P	Fl.-Wash. .62" I.D. x 1.12" O.D.
67	712-0261	1	S	Hex Jam L.-Nut 5/8-11 Thd.
68	13789	1		Cross ShaftAss'y.
69	712-0206	1	S	Hex Nut 1/2-13 Thd.*
70	736-0921	1	S	L.-Wash. 1/2" Scr.*
71	710-0474	1	/P	Hex Scr. 1/2-13 x 1.25"
72	750-0462	1		Bushing
73	736-0158	1	S	L.-Wash. 5/8" Scr.*
74	712-0242	1	S	Hex Jam Nut 5/8-11 Thd.
75	05646	1	S	Tongue Ass'y.
76	736-0169	1	S	L.-Wash. 3/8" I.D.*
77	712-0241	1	/P	Hex Nut 3/8-24 Thd. *
78	784-5093	1		Drive ShaftCover
79	746-0146	1		Grease Fitting